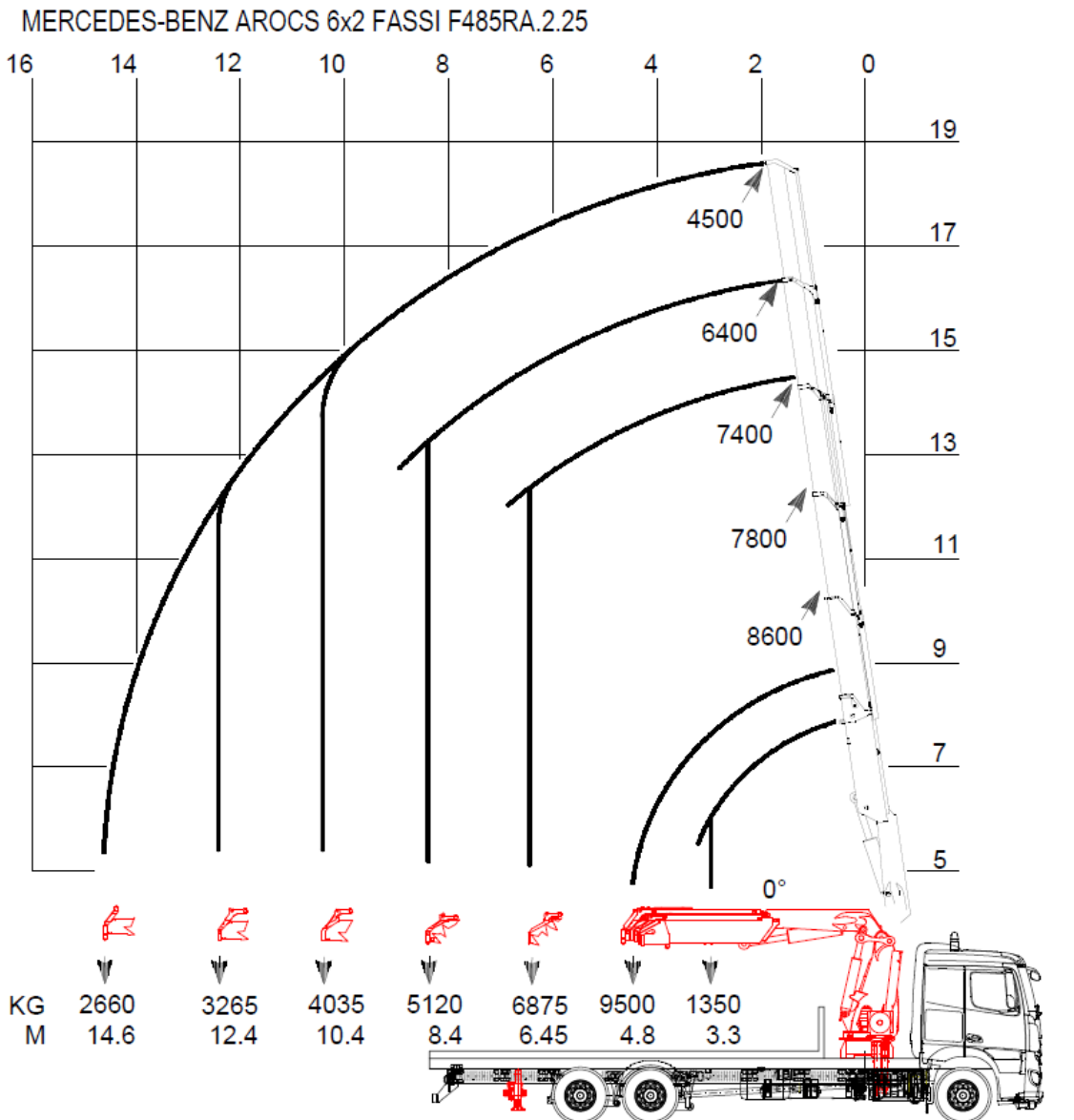


TRUCK	2017 Mercedes Arocs
BODY	6x2 Rigid
REGISTRATION	SJ17 SXG
PAYLOAD	8,500 Kgs
CRANE	Fassi F485RA.2.25
MAX LOAD-RADIUS	2.66 t - 14.6 m
STABILISER SPREAD	7210 mm
CRANE WEIGHT	4950 Kgs
MAT SIZE	600 x 600 mm



MERCEDES-BENZ AROCS 6x2 FASSI F485RA.2.25

